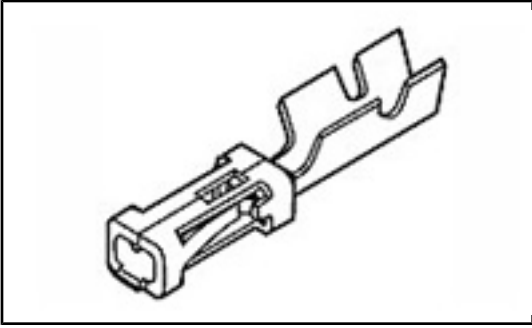


# 103171-5 Product Details

---



**103171-5**

TE Internal Number: 103171-5

 [Active](#)

## .100 AMPMODU Headers, Housings & Contacts

[Not EU RoHS or ELV Compliant \(Find RoHS Compliant Alternates\)](#)

### Product Highlights:

- Contact
- Contact Type = Receptacle
- Terminate To Wire
- Wire Insulation Diameter = 1.55 mm
- Wire Range = 0.12-0.40<sup>2</sup> [26-22] mm [AWG]

[View all Features](#)

## Documentation & Additional Information

### Product Drawings:

- [CONTACT, RECEPTACLE, MOD IV 1/2 CRIMP SNAP-IN FOR #2...](#) (PDF, English)

### Catalog Pages/Data Sheets:

- None Available

### Product Specifications:

- [Interconnection System, AMPMODU Mod IV 1/2](#) (PDF, English)

### Application Specifications:

- [AMPMODU MOD IV, IV1/2, and V Receptacles and Housings](#) (PDF, English)

### Instruction Sheets:

- None Available

### CAD Files: ([CAD Format & Compression Information](#))

- [2D Drawing](#) (DXF, Version J)
- [3D Model](#) (IGES, Version J)
- [3D Model](#) (STEP, Version J)

[List all Documents](#)

### Additional Information:

- [Product Line Information](#)

### Related Products:

- [Tooling](#)

## Product Features (Please use the Product Drawing for all design activity)

### Product Type Features:

- Product Type = Contact
- Wire Insulation Diameter (mm [in]) = 1.55 [0.061]
- [Connector Series](#) = Mod IV.v
- Wire Termination Type = Crimp
- With Insulation Support = Yes
- Applied Pressure = Intermediate
- Comment = (\*) For use with Model "K" machines. Call the Technical Assistance Center (1-800-522-6752) for part numbers of applicators for use with Model "G" machines, as well as other bench machines and fully automatic AMPOMATOR lead making machines.

### Electrical Characteristics:

- Voltage Rating (VAC) = 250
- Contact Current Rating (Amps.) = 3
- Termination Resistance (m  $\Omega$ ) = 12
- Insulation Resistance (M  $\Omega$ ) = 5,000
- Dielectric Withstanding Voltage (V) = 750

### Termination Related Features:

- Crimp Area Plating = Bright Tin

### Body Related Features:

### Contact Related Features:

- Contact Type = Receptacle
- [Contact Mating Area Plating Material](#) = Gold (30)
- Contact Base Material = Copper-Tin-Phosphor Bronze
- Approved Standards = UL E28476, CSA LR7189

### Industry Standards:

- [RoHS/ELV Compliance](#) = Not ELV/RoHS compliant
- [Lead Free Solder Processes](#) = Not relevant for lead free process

### Conditions for Usage:

- [Terminate To](#) = Wire
- Operating Temperature ( $^{\circ}\text{C}$ ) = -65 – +105

### Packaging Related Features:

- Packaging Method = Loose Piece

### Other:

- Brand = AMP

- [Wire Range \(mm \[AWG\]\)](#) = 0.12-0.40<sup>2</sup> [26-22]